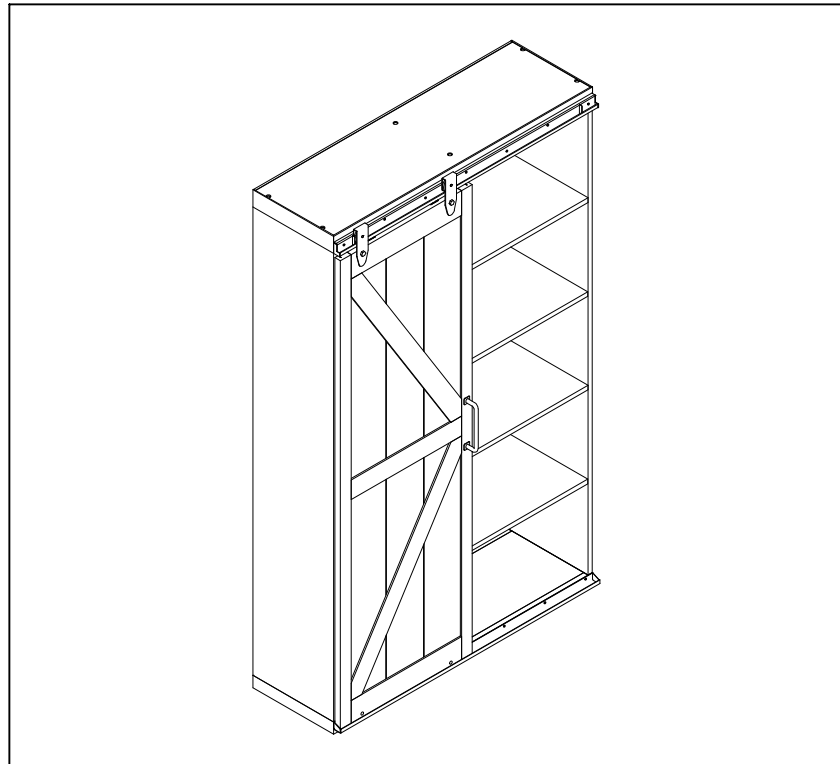


WORLD MARKET®

Assembly Instructions

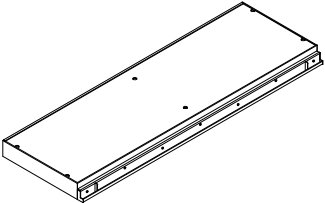
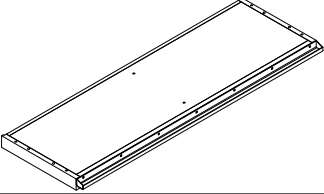



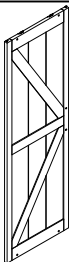
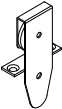

Farmhouse Bookcase 48" Wide SKU - 618185



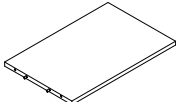
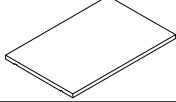

THANK YOU FOR YOUR PURCHASE. IF YOU HAVE ANY QUESTIONS
PERTAINING TO THE ASSEMBLY OF THIS FURNITURE PIECE, PLEASE CONTACT
THE NEAREST WORLD MARKET STORE
IF YOU ARE NOT NEAR A STORE PLEASE CALL OUR CUSTOMER SERVICE CALL
CENTER TOLL FREE AT 877-967-5362 FOR ASSISTANCE.

All products sold at World Market are not for commercial use and are intended for residential use only.


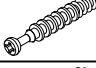

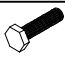




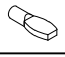




Component List

LABEL	PICTURE	DESCRIPTION	Q.TY
A		Top Frame	1
B		Bottom Frame	1
C-1		Left Side Frame	1
C-2		Right Side Frame	1
D		Middle Divider	1
E		Door	1
F		Door Support	2
G		Back Panel	2


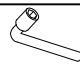


Component List

LABEL	PICTURE	DESCRIPTION	Q.TY
H		Fixed Shelf	4
J		Removable Shelf	4
K		Handle	1

Hardware List

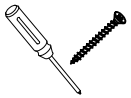
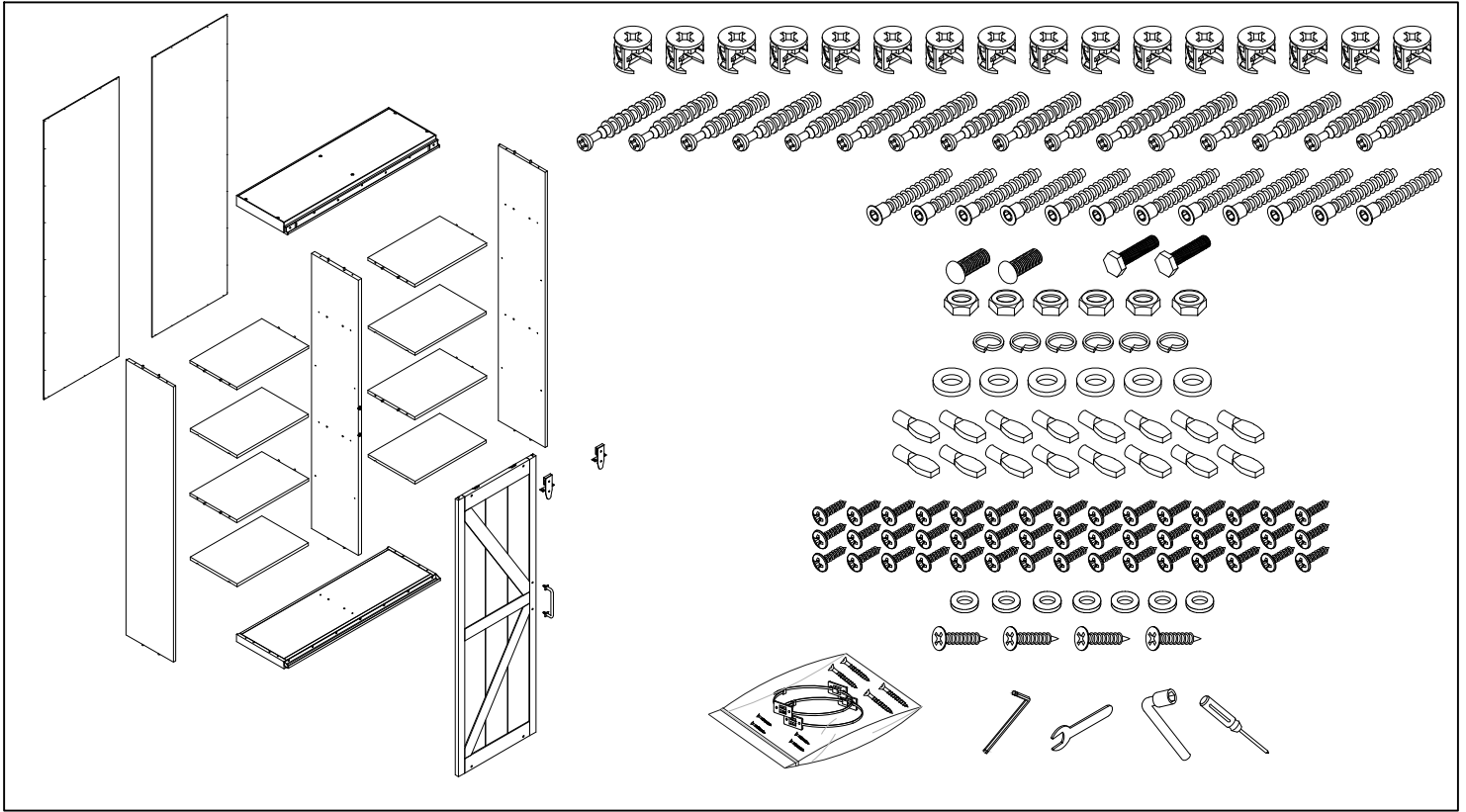
LABEL	PICTURE	DESCRIPTION	Q.TY
H-1		Cam lock Ø15 mm	16
H-2		Cam Screw	16
H-3		Connecting Screw M7 x 70 mm	12
H-4		Bolt Ø8 x 30 mm	2
H-5		Decorative Door Bolt M8 x 25 mm	2
H-6		Nut Ø8 x 13 mm	6
H-7		Lock Washer Ø8 x Ø13 x T2 mm	6
H-8		Flat Washer Ø8 x Ø19 x T2 mm	6
H-9		Shelf pin	16
H-10		Pan head Screw M3.5 x 15 mm	45
H-11		Flat Washer Ø6 x Ø19 x T2 mm	7
H-12		Wood Screw M3.5 x 20 mm	4
H-13		Anti Tip Kit	1

Tool List

LABEL	PICTURE	DESCRIPTION	QTY
T-1		Allen Key 4 x 110 x 30 mm	1
T-2		Socket Wrench 13mm	1
T-3		Wrench 13mm	1
T-4		Phillips Screwdriver (not included)	1

Assembly Preparation

Before Beginning:



- Unpack all hardware bags and components to ensure you have all parts.



- Read instructions, cover to cover.



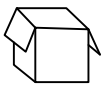
- Have 2 adults on hand for assembly.



- Do not assemble on flooring or carpet.



- Assemble on a clean non-marring surface (packing foam).



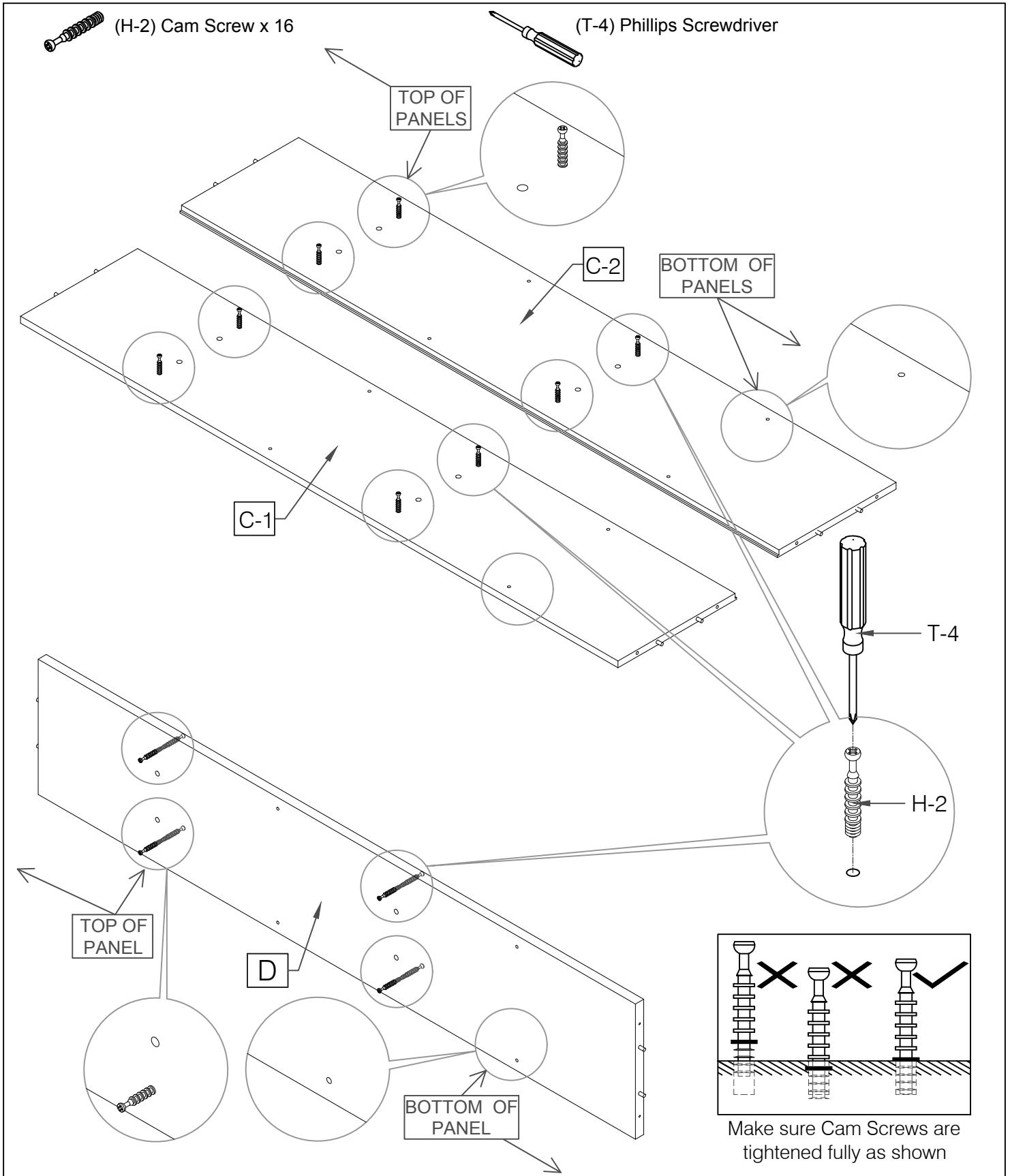
- Save all packaging until finished.



- In case of missing parts, please contact your nearest World Market store or call our customer service call center at call 1-877-967-5362.

Assembly Steps

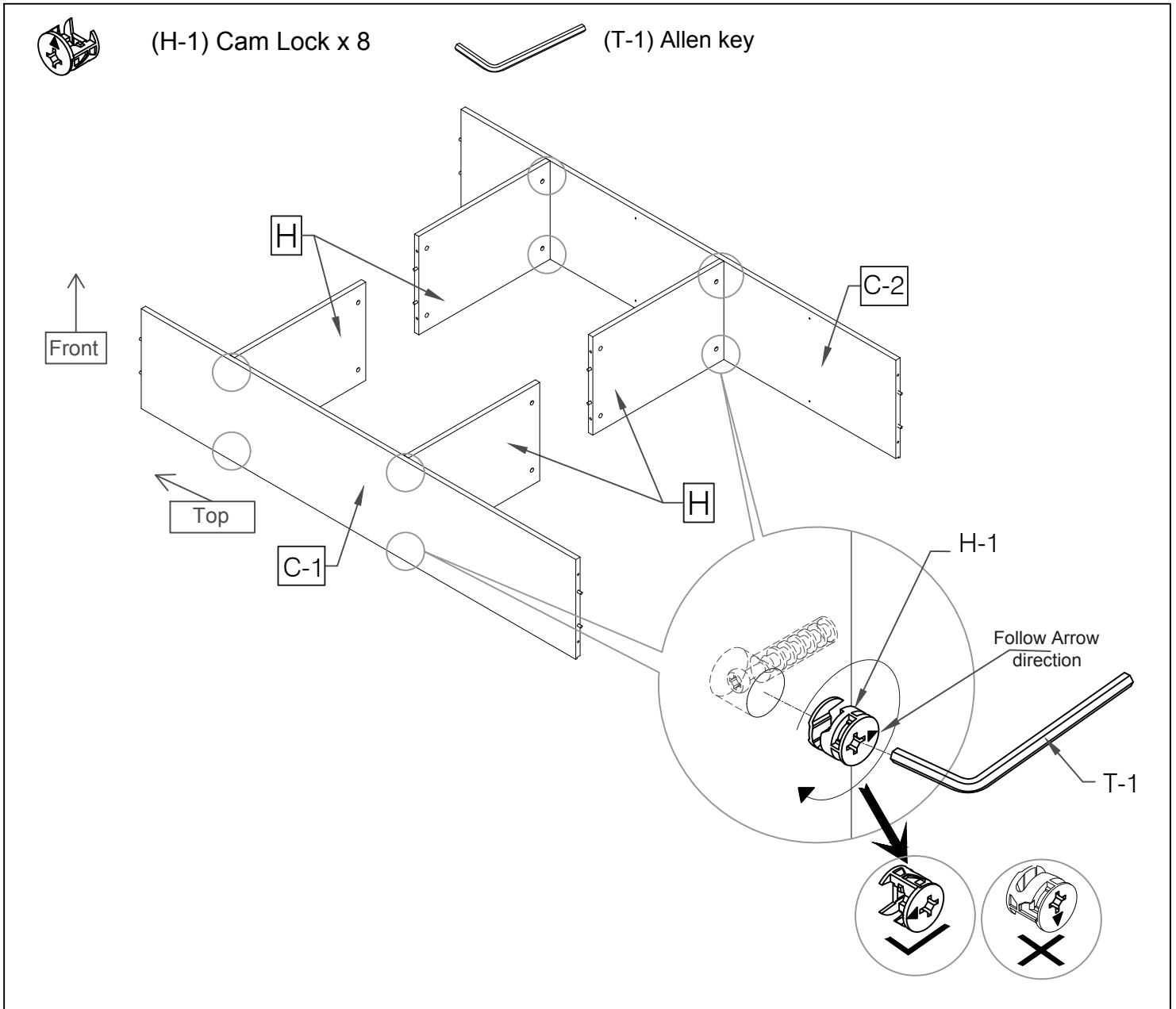
Step 1



Install Cam Screws (H-2) into the pre-drilled holes on Left Side Frame (C-1), Right Side Frame (C-2) and Middle Divider (D) as shown. NOTE that both sides of Middle Divider (D) require Cam Screws (H-2). Fully tighten using a Phillips screwdriver (T-4, not included) per illustration above.

Step 2

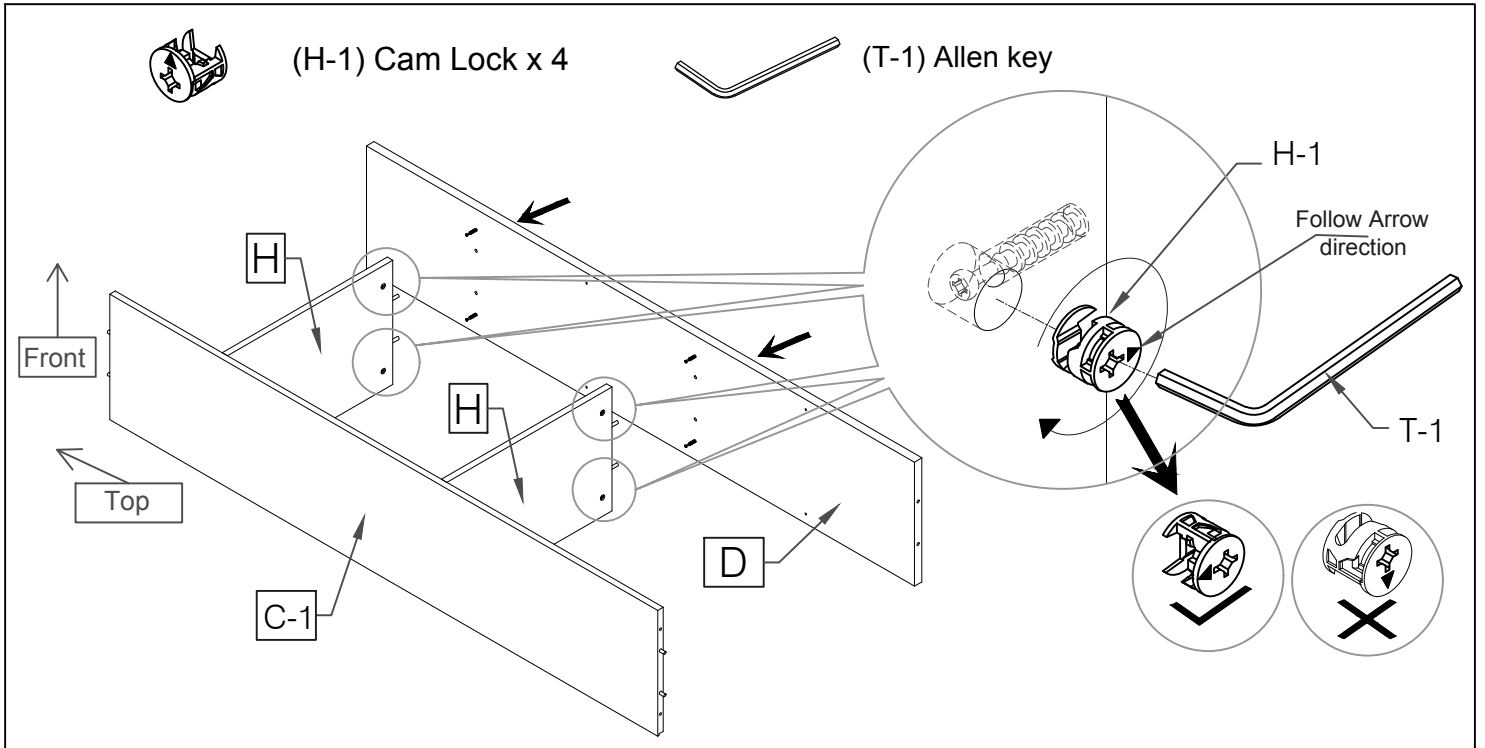
NOTE: Two people are recommended for this assembly step.



NOTE: Cam Lock holes on Fixed Shelves (H) should all face toward the BOTTOM of the assembly. There is a smaller distance between the Top edges of Left/ Right Side Frames (C-1, C-2) and Fixed Shelves (H) than between the BOTTOM edges of Left/ Right Side Frames (C-1, C-2), and Fixed Shelves(H).

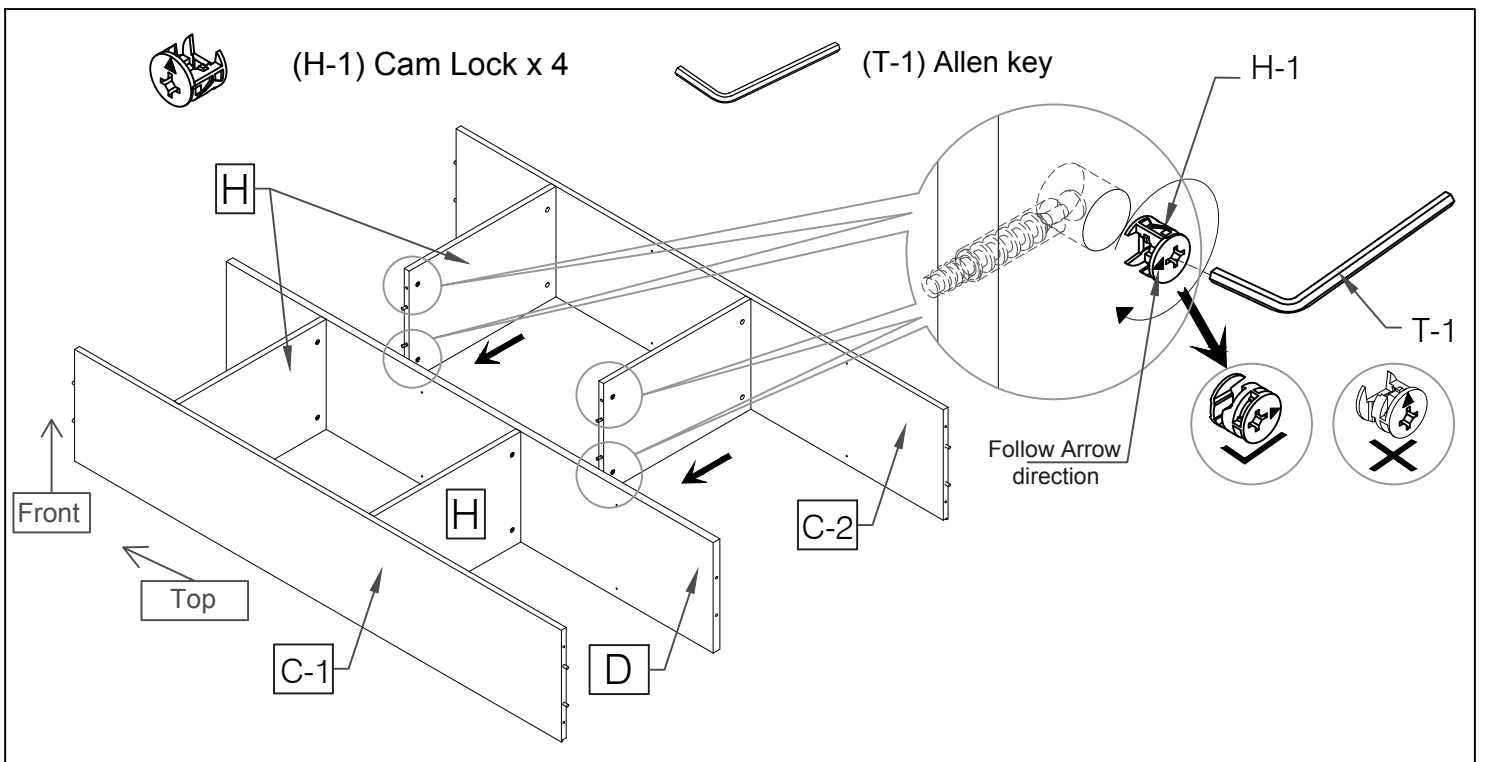
Install Cam Locks (H-1) into the corresponding holes on Fixed Shelf (H) as shown, making sure that the Cam Screws (H-2) installed on Left Side Frame (C-1), Right Side Frame (C-2). Tighten all Cam Locks (H-1) using Allen Key (T-1) until they are snug. Carefully set the two shelving pre-assemblies aside, making sure that the Fixed Shelf (H) do not warp or twist before they are fully secured (in Step 3 and 4).

Step 3



Install Cam Locks (H-1) into the corresponding holes on Fixed Shelf (H) that were installed on Left Side Frame (C-1) as shown. Ensure arrows on Cam Locks (H-1) point toward the Cam Screws (H-2). Insert Cam Screws (H-2) that have previously been installed in Middle Divider (D) into receiving holes in Fixed Shelves (H). Tighten all Cam Locks (H-1) using Allen Key (T-1) until they are snug.

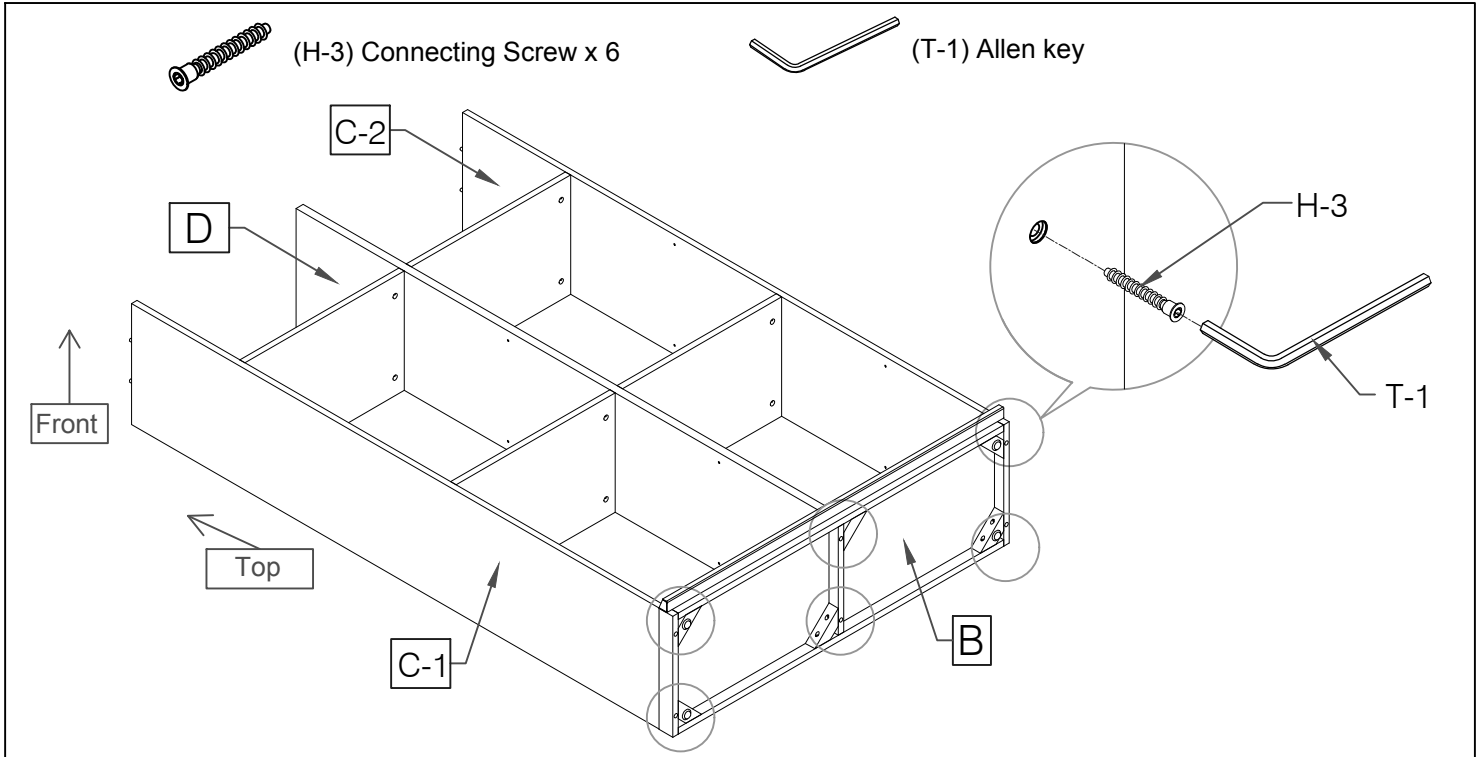
Step 4



Install Cam Locks (H-1) into the corresponding holes on Fixed Shelf (H) that were installed on Right Side Frame (C-2) as shown. Ensure arrows on Cam Locks (H-1) point toward the Cam Screws (H-2). Insert Cam Screws (H-2) that have previously been installed in Middle Divider (D) into receiving holes in Fixed Shelves (H). Tighten all Cam Locks (H-1) using Allen Key (T-1) until they are snug.

Step 5

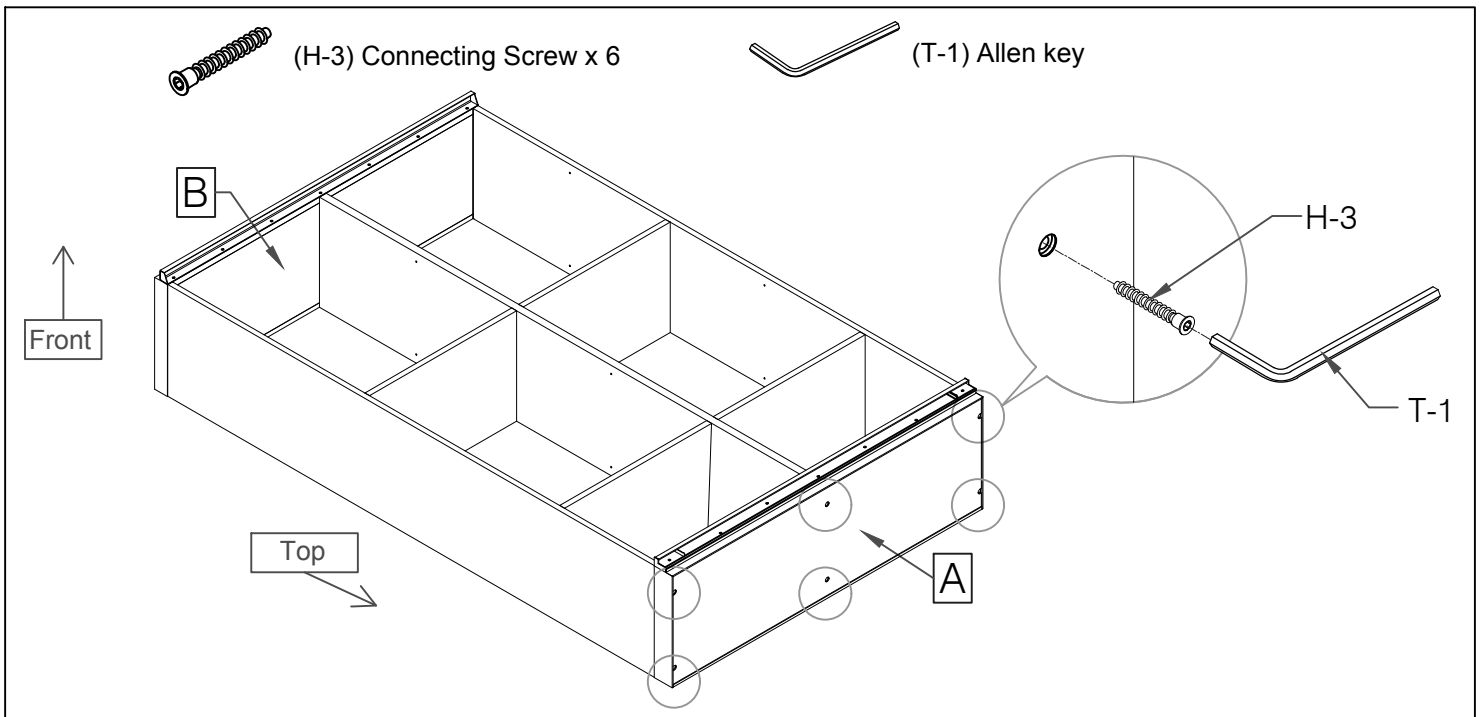
NOTE: Please reference the "TOP" directional arrow in the illustration below to help with this assembly step.



Install and secure Left Side Frame (C-1) and Right Side Frame (C-2) to Bottom Frame (B) using Connecting Screws (H-3). Engage all screws before fully tightening using Allen Key (T-1).

Step 6

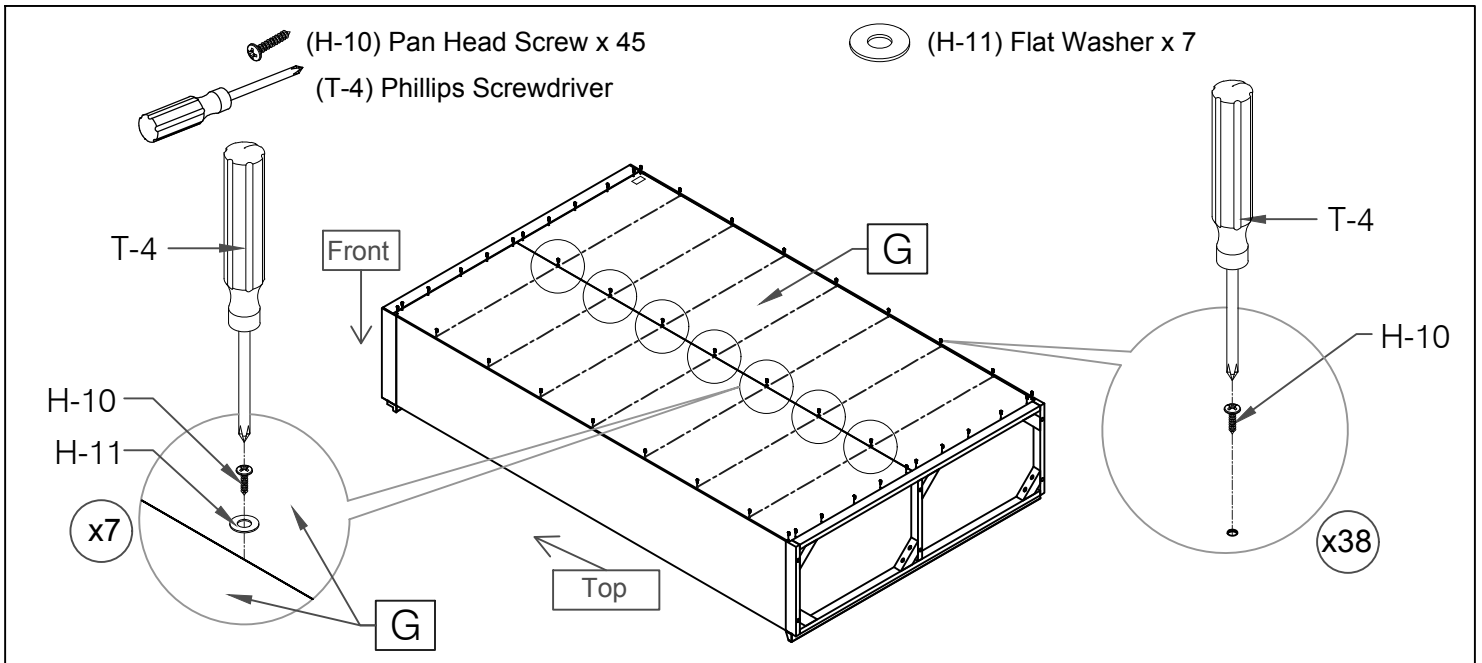
NOTE: Please reference the "TOP" directional arrow in the illustration below to help with this assembly step.



Install and secure Left Side Frame (C-1) and Right Side Frame (C-2) to Top Frame (A) using Connecting Screws (H-3). Engage all screws before fully tightening using Allen Key (T-1).

Step 7

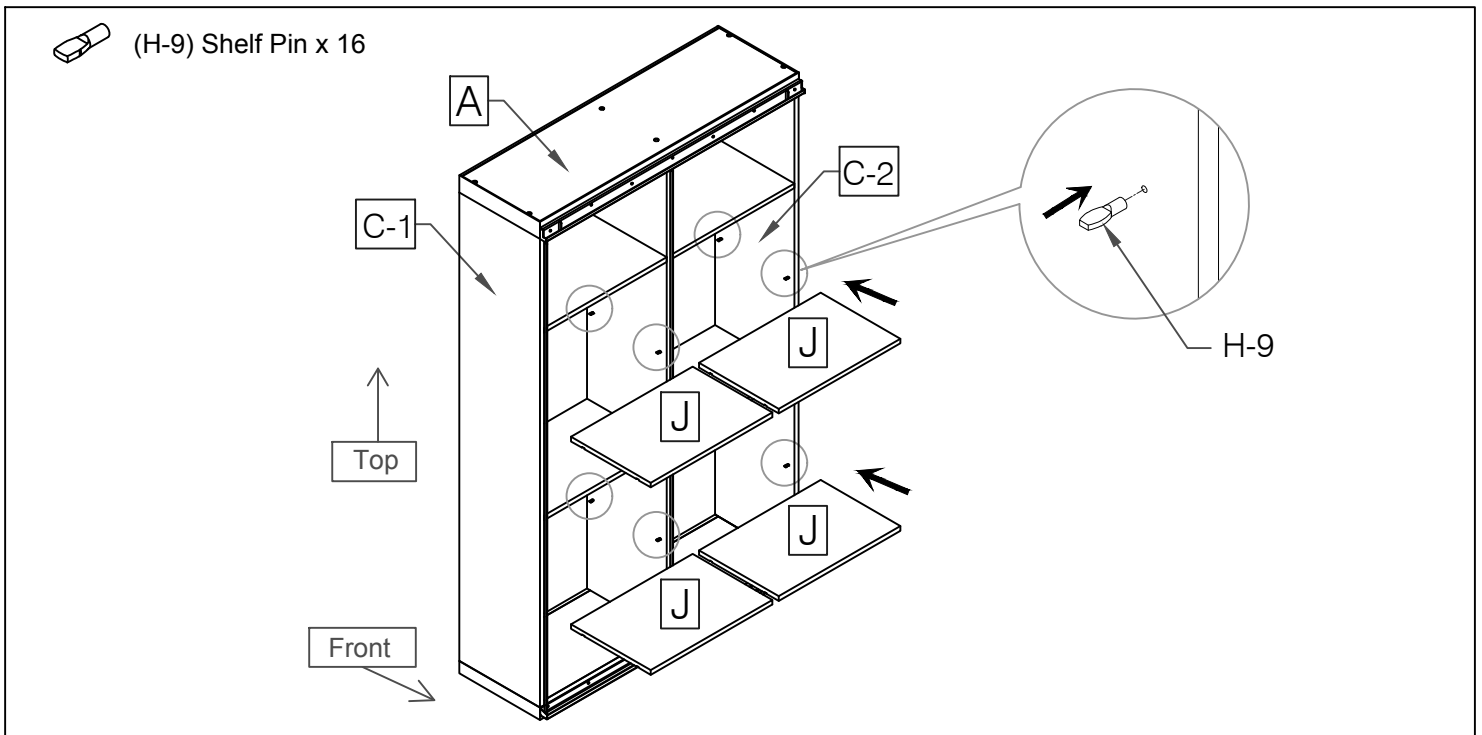
NOTE: Two people are recommended for this assembly step.



Using a second person to assist you, carefully turn the assembled unit upside down as shown. Position and secure Back Panels (G) to the back of assembled unit with Pan Head Screws (H-10) by using the Phillips Screwdriver (T-4). Do not over tighten. Position and secure the middle to Back Panels (G) to the back of assembled unit with Pan Head Screws (H-10) and Flat Washer (H-11) by using the Phillips Screwdriver (T-4). Do not over tighten.

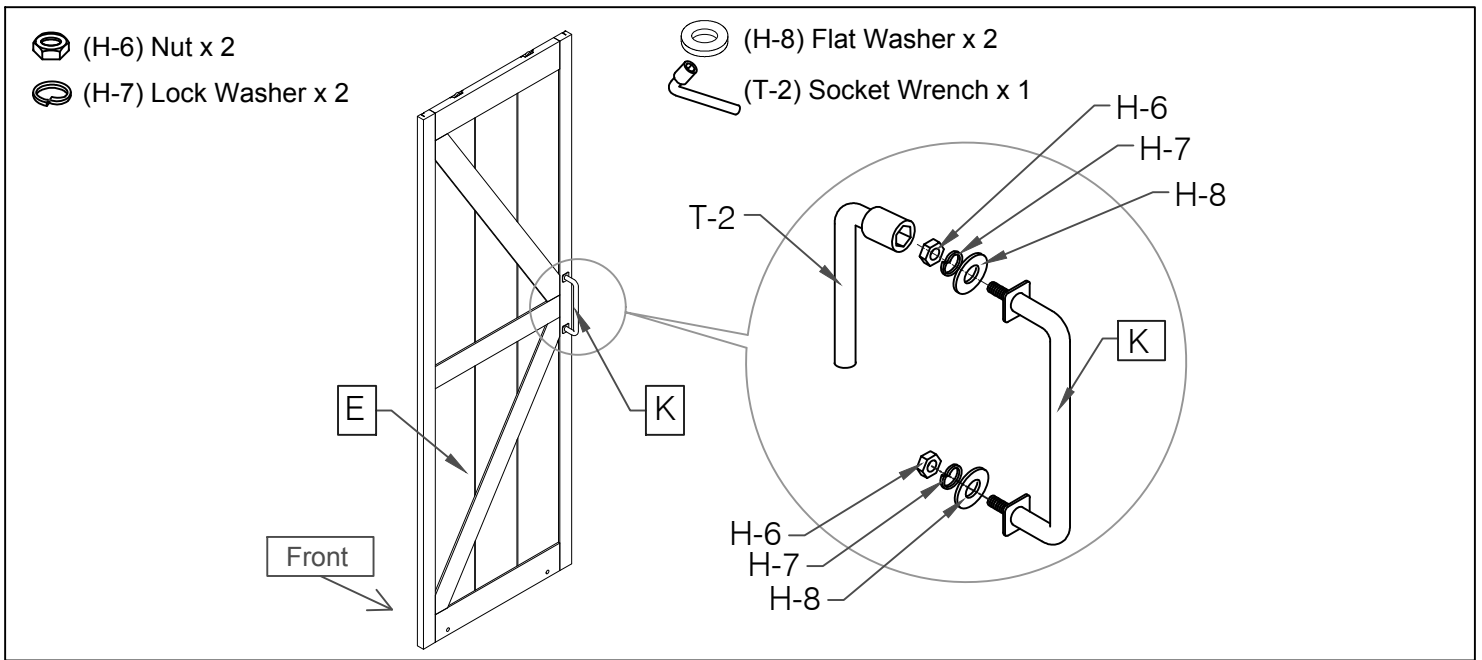
Step 8

NOTE: Two people are recommended for this assembly step.



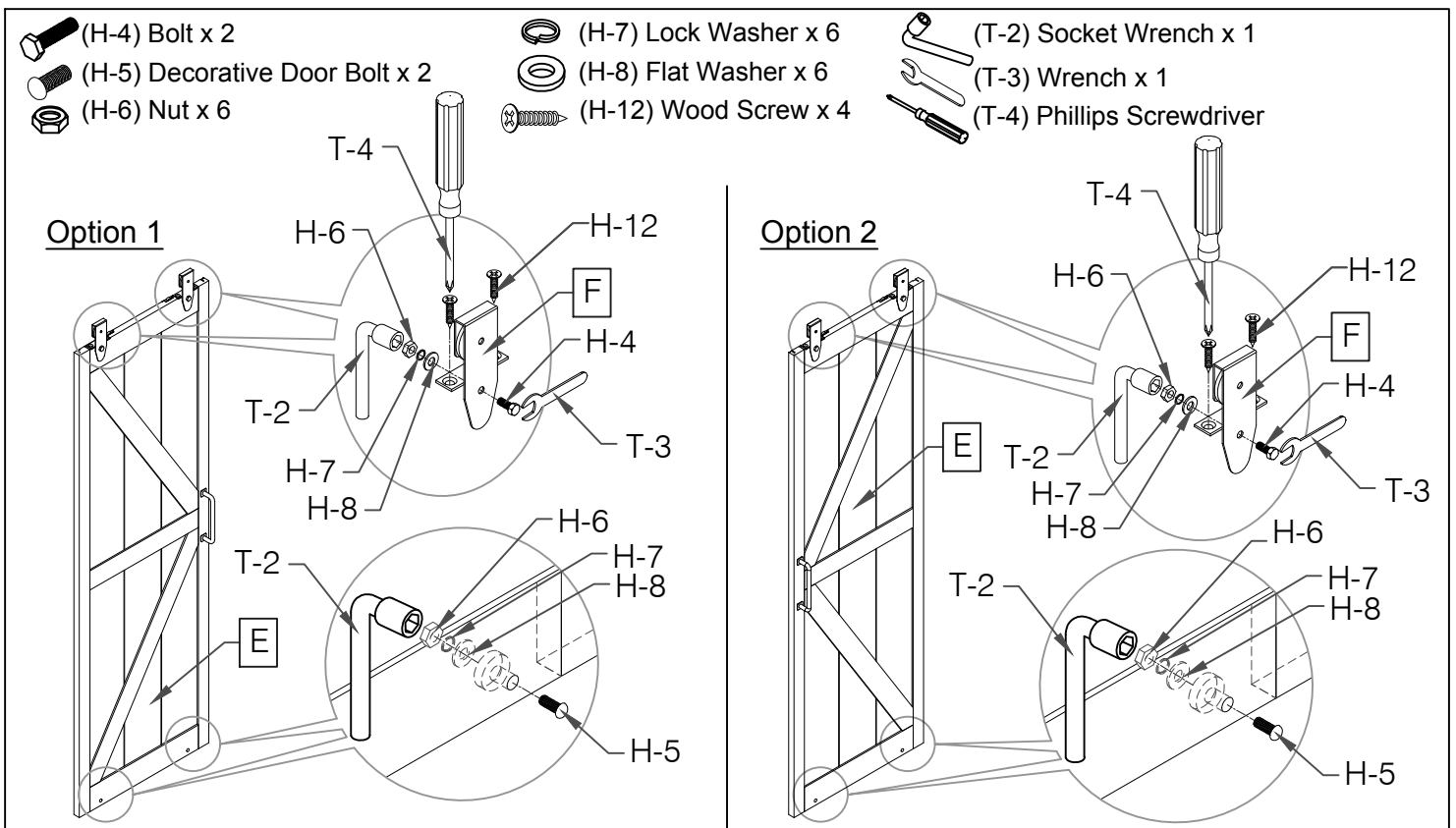
Using a second person to assist you, carefully turn the assembled unit upright. Insert Shelf Pins (H-9) into the desired hole locations on Left Side Frame (C-1) and Right Side Frames (C-2) and Middle Divider (D). Insert Shelf (J) into position as shown, making sure they rest evenly on each Shelf Pin (H-9).

Step 9



Position and secure Handles (K) to Door (E) with Nuts (H-6), Lock Washers (H-7), Flat Washers (H-8), stacking the hardware in the order as shown. Fully tighten nuts using Socket Wrench (T-2).

Step 10

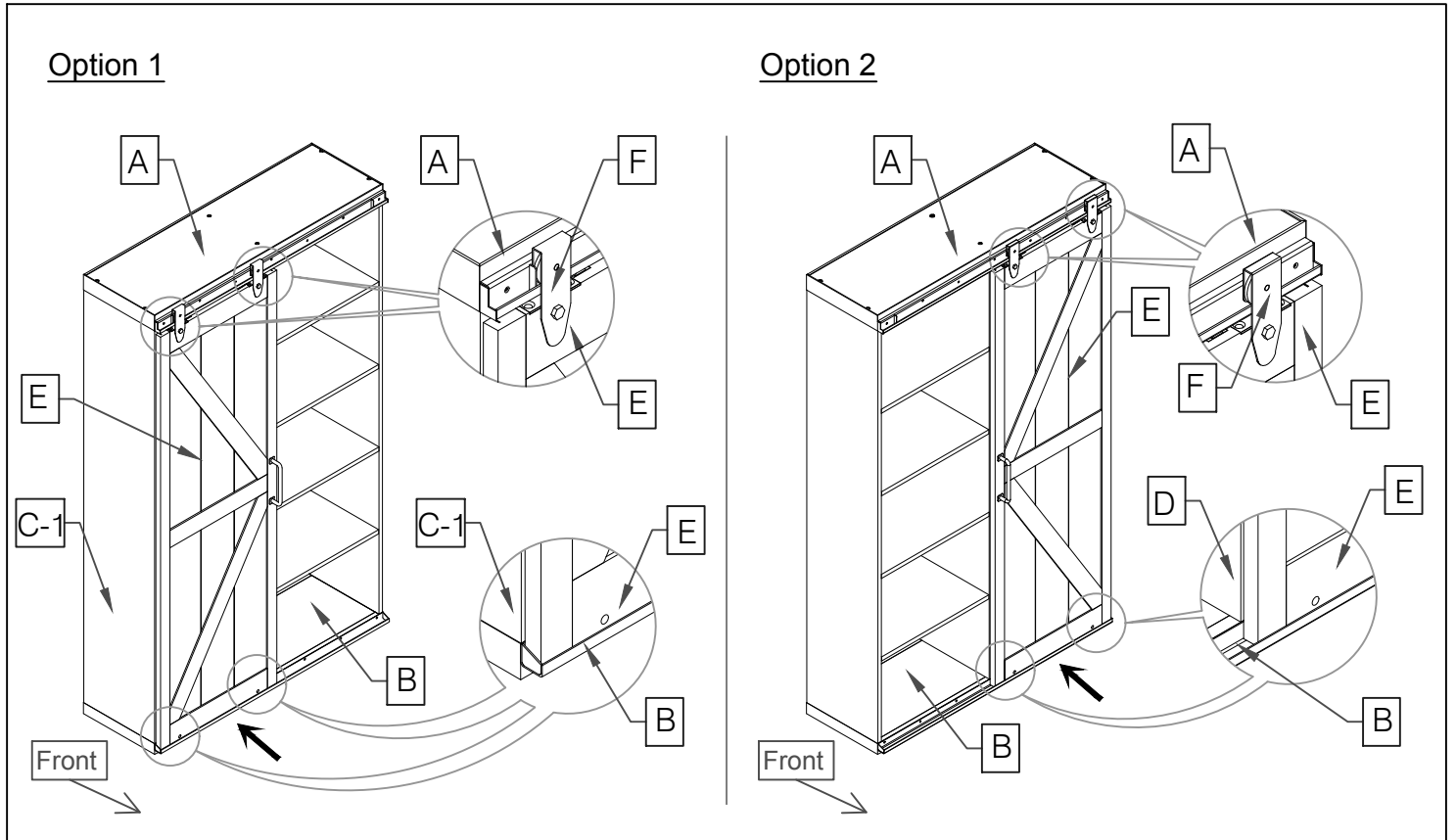


NOTE: The Door (E) can be oriented with the handle on the left or the right. Start this step by positioning the door in the desired configuration.

Insert and secure Door Supports (F) to the top of Door (E) with Nuts (H-6), Lock Washer (H-7), Flat Washers (H-8), and Bolts (H-4), stacking the hardware in the order as shown. Use Socket Wrench (T-2) and Wrench (T-3) and fully tighten nuts and bolts. Secure Door Supports (F) to the top of Door (E) with Wood Screws (H-12) by using Phillips Screwdriver (T-4)

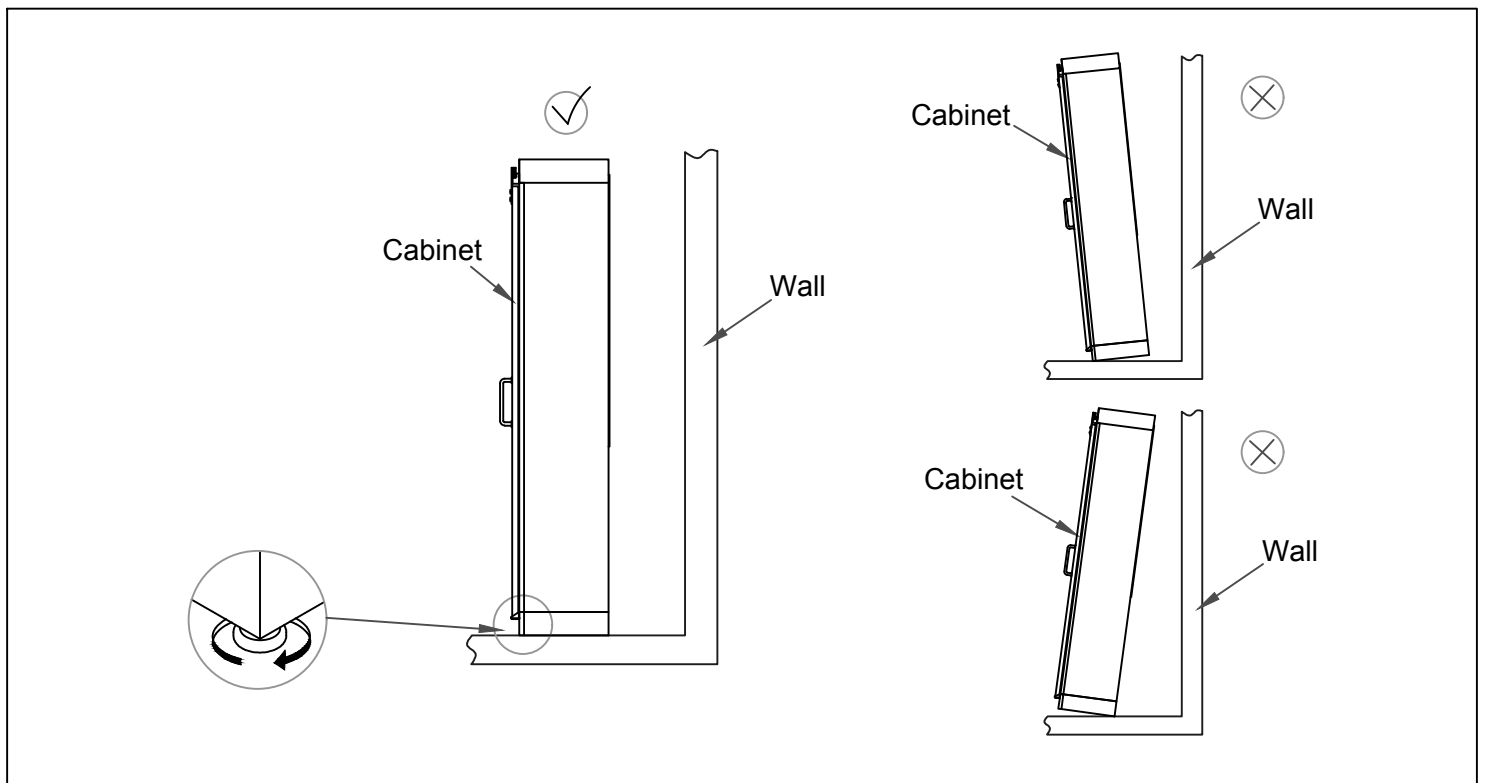
Insert Nuts (H-6), Lock washers (H-7), Flat washers (H-8), and Decorate Door Bolts (H-5) in the holes at the bottom of Door (E), staking the hardware in the order as shown. Fully tighten all bolts using Socket Wrench (T-2).

Step 11



Hang the Doors (E) to assembled unit.

Step 12 - Leveling Procedure

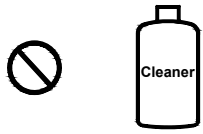


Adjust leveler to make Cabinet parallel to the Wall.
The Farmhouse Bookcase 48" Wide is assembled and ready for use.

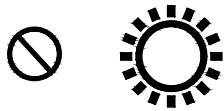
Care & Maintenance



- Do not put hot items directly on furniture surface.



- Do not clean furniture with harsh cleansers or polish.



- Do not place furniture in direct sunlight.



- Do not place furniture near heating or cooling vents.



- Do not write on furniture without a padded barrier to protect the surface.



- Do not place furniture outside. For indoor use only.



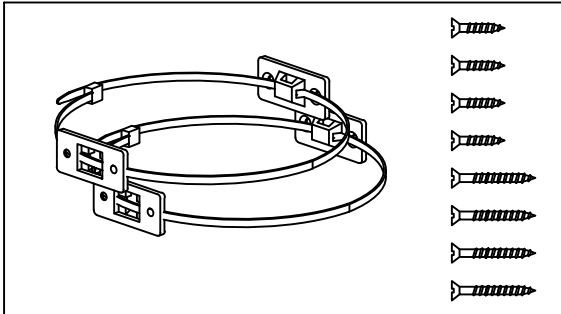
- All products sold at World Market are not for commercial use and are intended for residential use only.



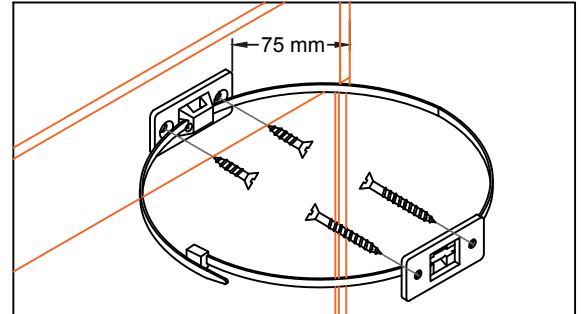
- Dust and pick-up spills using a clean, non-colored, lint-free, dry cloth.

Anti-Tip Measures

Warning - Children may be injured by tipping of furniture and the use of the Anti-Tip Kit is highly recommended. This Anti-Tip Kit is only a deterrent. It is not a substitute for proper adult supervision. Manufacturer and retailer assumes no liability for improper installation or excess loads placed on screws, brackets, or straps. When properly installed, this restraint provides protection against unexpected tipping of furniture. This Anti-Tip Kit MUST be installed into the wall using proper mounting hardware OR into a wall stud using appropriate screws. Position of the Anti-tip Kit depends on the product and the location of the wall studs. The hardware provided is not a comprehensive solution for all wall types. Be sure to consult a professional or your local hardware store to determine the hardware needed for your specific wall type (plaster, drywall, concrete, etc,...).

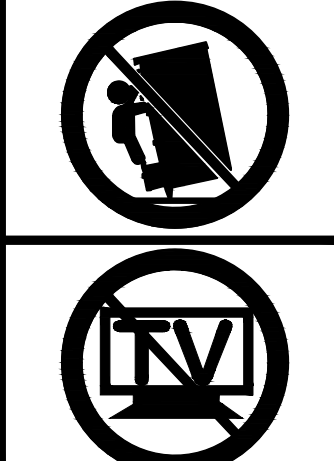


Anti-Tip kit contents



Anti-Tip kit installation

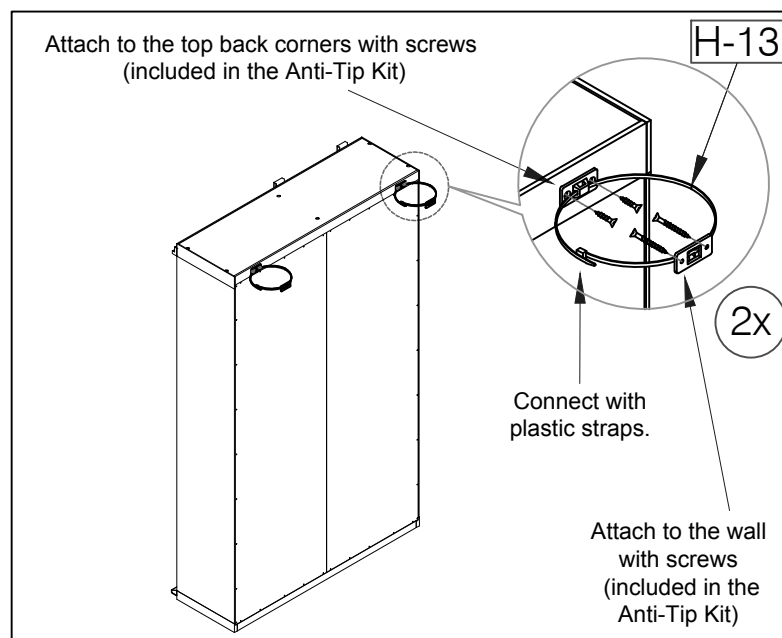
⚠ WARNING



Children have died from furniture tipover. To reduce the risk of furniture tipover:

- ALWAYS install tipover restraint provided.
- NEVER put a TV on this product.
- NEVER allow children to stand, climb or hang on drawers, doors, or shelves.
- NEVER open more than one drawer at a time.
- Place heaviest items in the lowest drawers.

This is a permanent label. Do not remove!



WORLD MARKET LIMITED ONE-YEAR WARRANTY – Indoor Furniture

For your customer satisfaction, this product carries a LIMITED ONE-YEAR WARRANTY from the date of purchase. This limited warranty only applies to World Market brand furniture, and not to other furniture brands sold on World Market's website.

Where applicable, the limited warranty provides coverage for:

1. **Manufacturing, Material and Workmanship Defects:** Includes defects related to core frame/structure substrates (wood and metal); cracking, splitting, or complete breakage of hardwood, plywood or medium density fiberboard (MDF); cracking, splitting or lifting of wood veneer or laminated top surfaces caused by process failure; broken welds or improperly coated metal frame components (powder coating or painted); fabric or leather material defects including tears, misprints, fraying, crease marks, skip stitches or open seams; support webbing material and sinuous spring defects or damage, including method of attachment to frame; and other component failures that are a direct result of manufacturing or workmanship defects.
2. **Cushions & Cushions with Enclosed Steel Pocket Coils:** Failed or ruptured steel pocket coils enclosed inside of seat cushions, or loss of resiliency from a material breakdown of foam or fiber filling, which should not be confused with softening or settling during normal use.
3. **Leather:** Splitting or cracking of leather material. NOTE: The warranty does NOT cover natural hide markings, variations in the leather color or grain due to the authentic natural properties of processed cowhide leather.
4. **Bonded Leather or Bi-cast Leather:** Separation of the polyurethane coating, peeling or cracking of the inner layer or at the bonded seam edges (bi-cast straps).
5. **Furniture Components (Hardware & Mechanisms):** Includes defects to pre-installed components or hardware provided to the customer for assembly such as office chair hydraulic lifts, lift mechanisms, metal bases and casters, swivel plate mechanisms; for drawers, metal glides, handles/knobs; for doors, hinges, magnetic latches; and other components such as bent or stripped threaded leg posts and adjustable levelers. For missing, damaged, corroded, or misplaced hardware components such as bolts or washers, please contact Customer Service at: 877-967-5362.

This LIMITED ONE-YEAR WARRANTY does NOT cover:

1. Damage due to mishandling during transportation from store or transportation without original protective packaging.
2. Abuse, negligence (product misuse) or wear and tear that may result in or from:
 - a. **Wood & Veneer:** Mishandling, exposure to moisture, peeling or discoloration caused by exposure to moisture or excessive sunlight, heat; splintered, dented or nicked panels, legs or component edges or paint/finish blemishes; or treatment with corrosive chemicals (dyes, inks, paints or harsh cleaning products).
 - b. **Fabric & Leather (Including Bonded or Bi-Cast Leathers):** cuts, punctures, tears, burns, pet damage, or treatment with corrosive chemicals (dyes, inks, paints or harsh cleaning products), exposure to direct sunlight, fire, high heat, water, or any bright light source (natural or artificial) that may cause splitting, peeling or flaking with time.
 - c. **Foam (Cushions):** Flattening, relaxing or settling/softening of foam components that comes with normal use.
 - d. **Hardware Components:** improper installation or misuse/substitution of hardware components not defined in the Assembly Instructions for the product (if applicable)
3. Damage due to environmental exposure to direct sunlight, fire, high heat, water or extreme humidity, any bright light source (natural or artificial), or any environment that the product is not intended for.
4. This warranty is applicable for indoor furniture products purchased for residential use only.

For additional information on returns, please visit: <https://www.worldmarket.com/category/customer-service/returns.do>

All products sold at World Market are NOT FOR COMMERCIAL USE and are intended for residential use only. Products purchased for commercial use will VOID all warranty provisions as listed above.

Any claims under this LIMITED ONE-YEAR WARRANTY are valid and applicable only as to the original purchaser and must be accompanied by proof of purchase. Warranty claims should be submitted to a World Market store or through World Market Customer Service Call Center, Toll Free at 877-967-5362.

For valid warranty claims, World Market will repair or replace the product, or offer a full or partial credit, in the sole discretion of World Market. This LIMITED ONE-YEAR WARRANTY gives you specific legal rights and you may also have other rights which vary from state to state.